

Owner:



EXETER PROPERTY GROUP
333-HEGENBERGER ROAD STE. #310
OAKLAND, CA 94621
tel: 209-915-7783

Project:

2325 WEST LOUISE AVENUE
MANTECA, CA

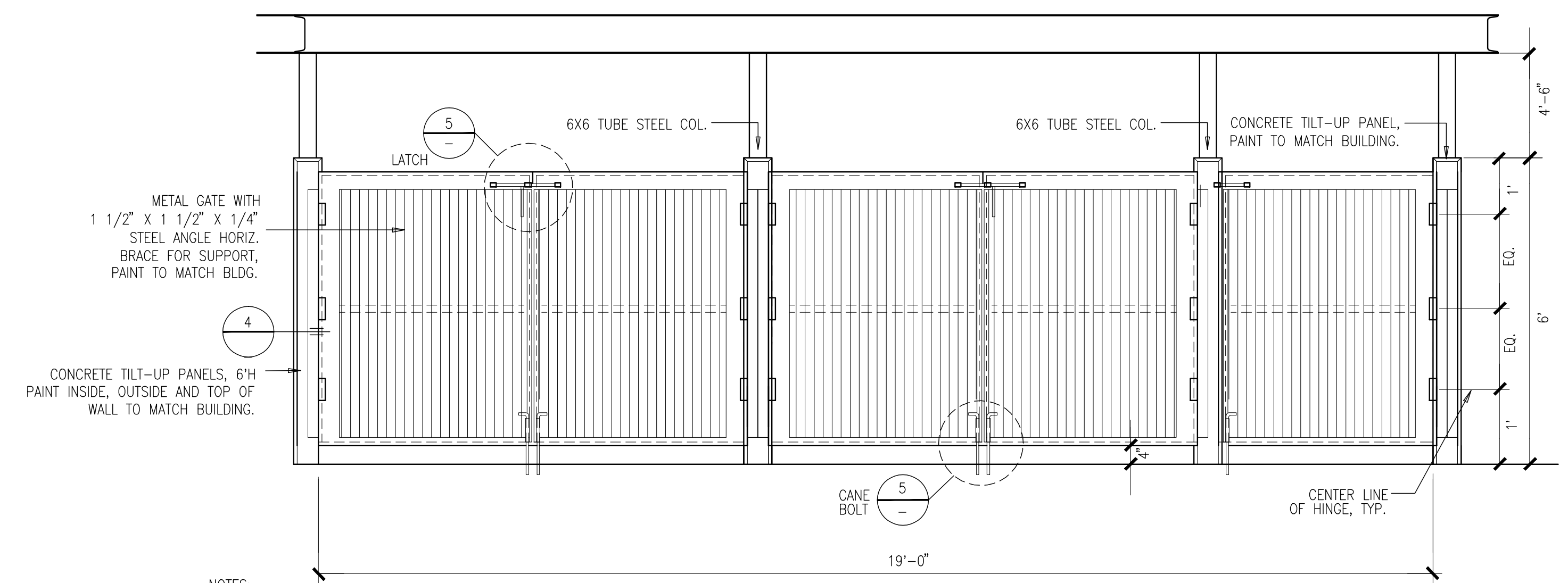
Consultants:

- | | |
|-----------------|-----------------|
| CIVIL | KIER & WRIGHT |
| STRUCTURAL | - |
| MECHANICAL | - |
| PLUMBING | - |
| ELECTRICAL | - |
| LANDSCAPE | GREEN DESIGN |
| FIRE PROTECTION | - |
| SOILS ENGINEER | - |
| LIGHTING | TURTLE & HUGHES |

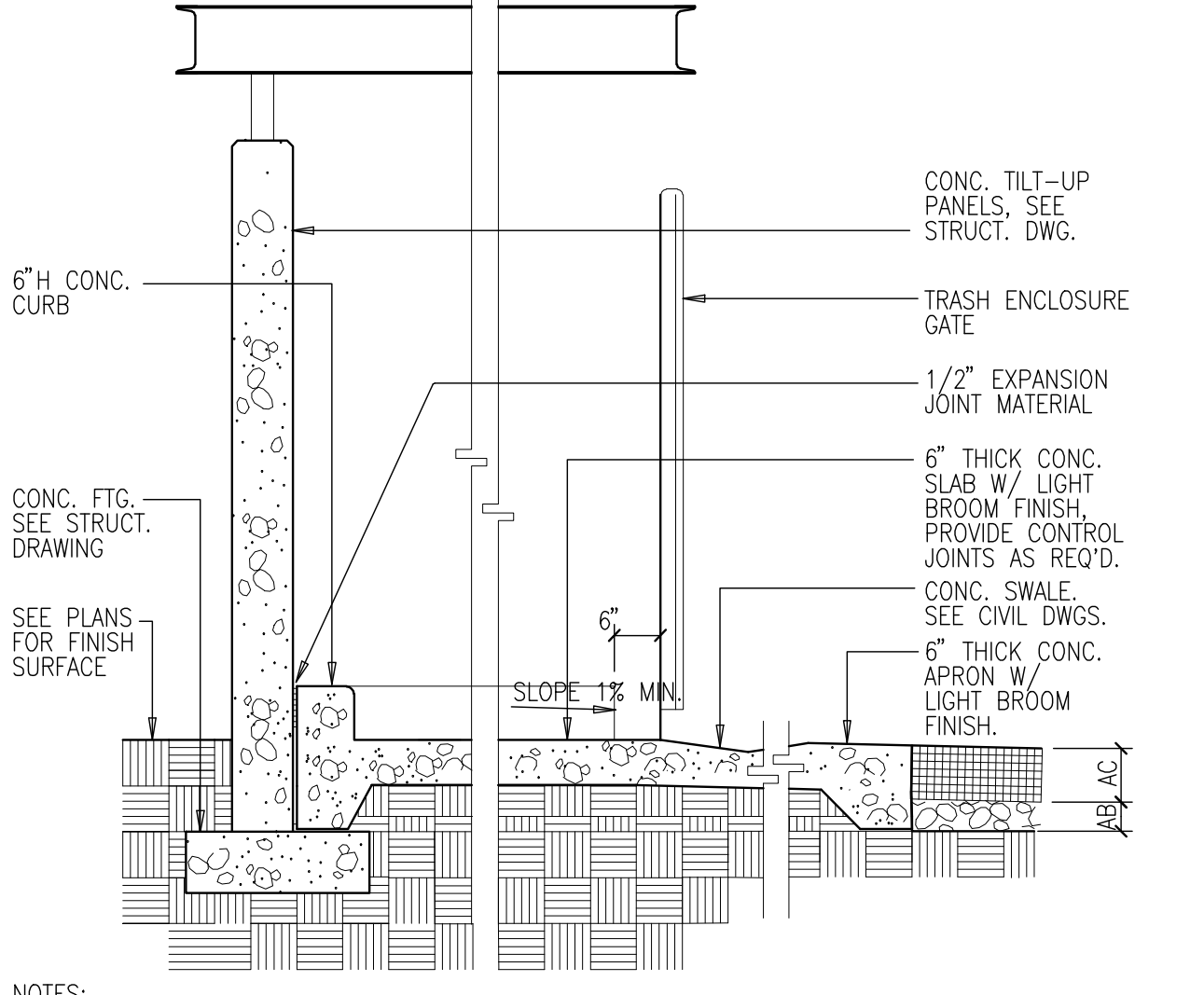
Title: **details**

Project Number: 15362.00
Drawn by: JL
Date: 09/27/2017
Revision:

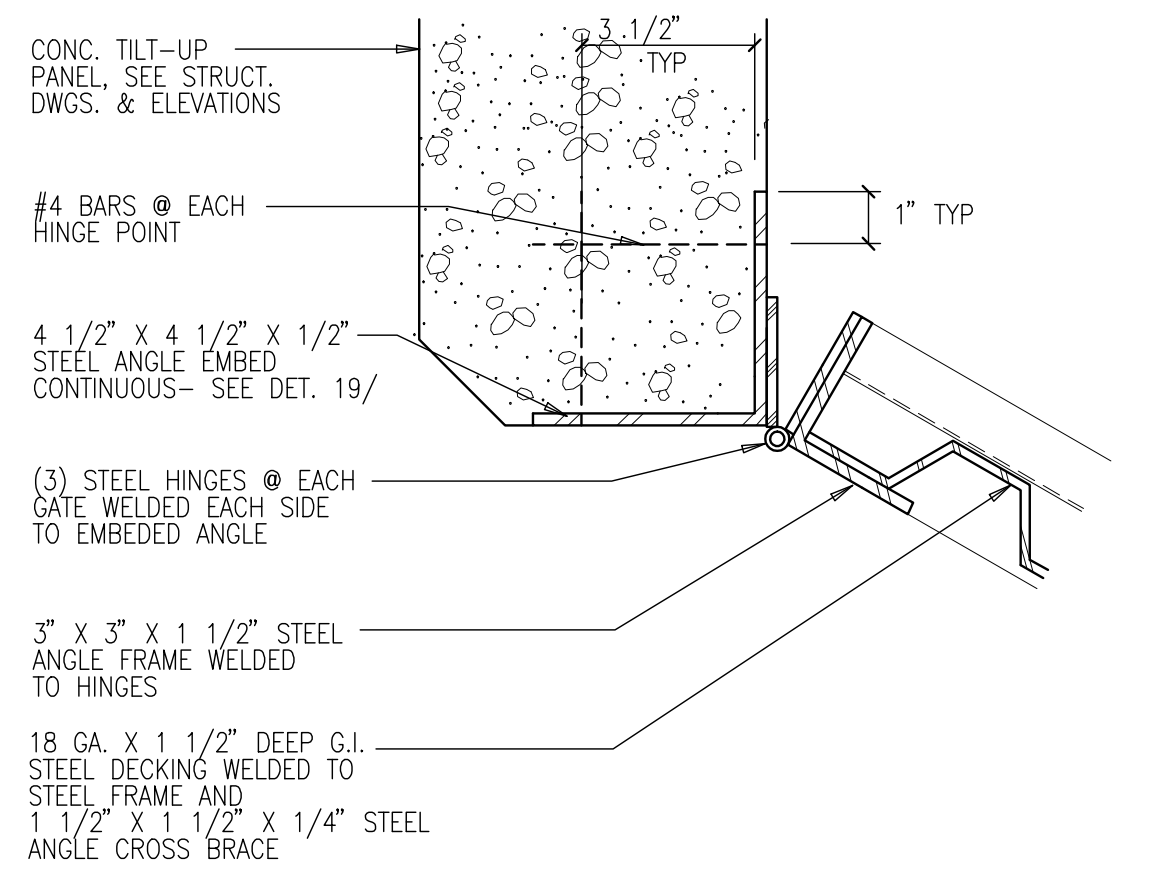
Sheet:



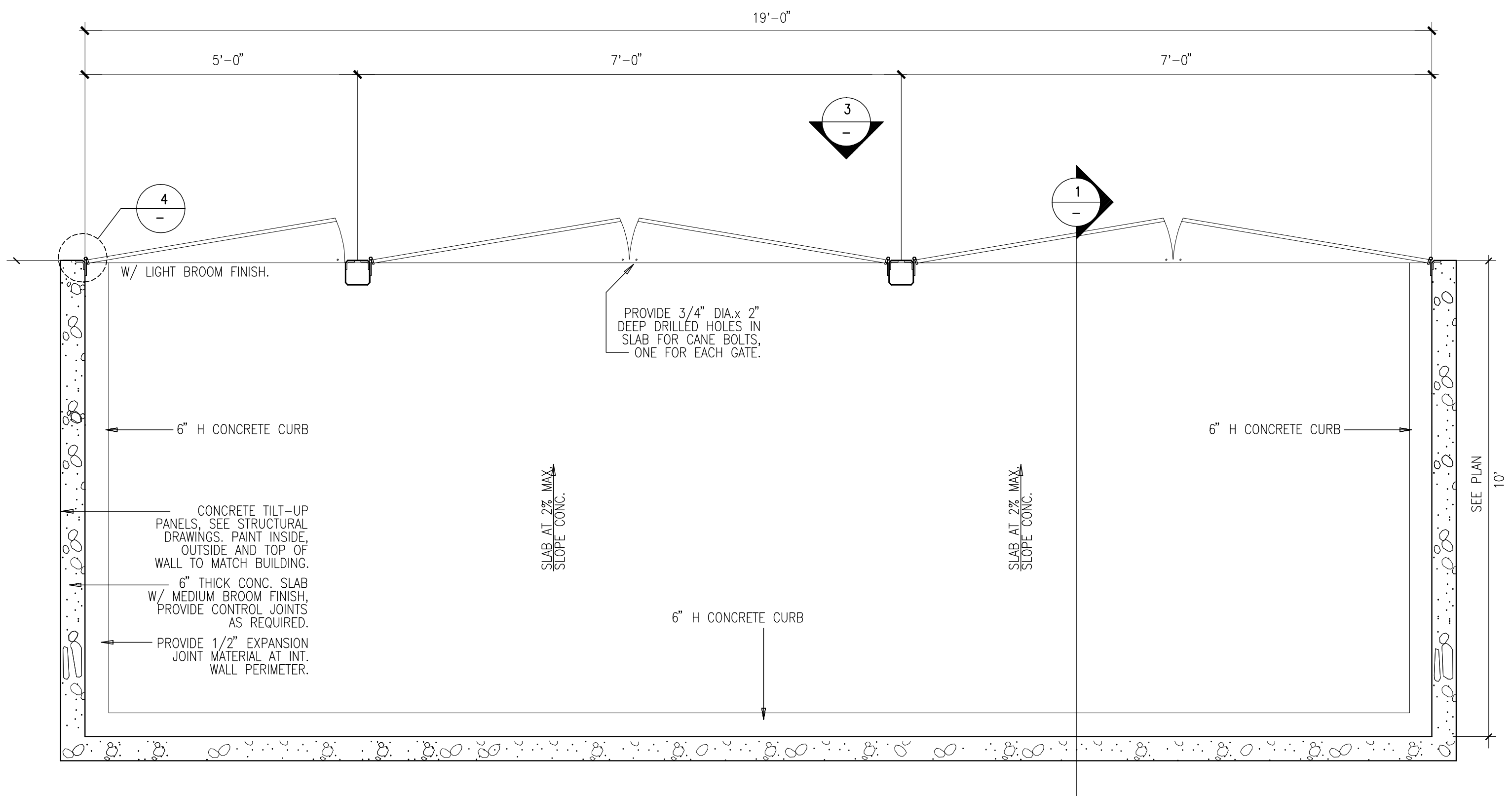
TRASH ENCLOSURE GATE ELEVATION
SCALE: 1/2" = 1'-0"



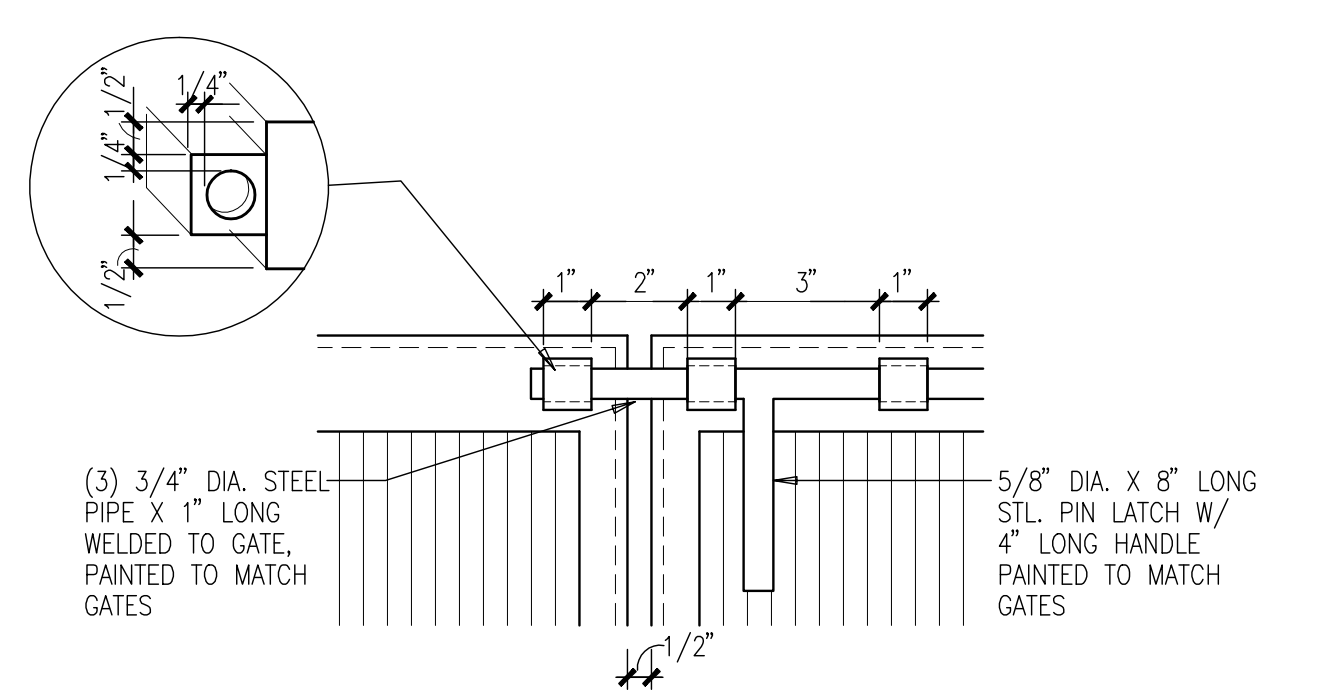
TRASH ENCLOSURE SECTION
SCALE: 1/2" = 1'-0"



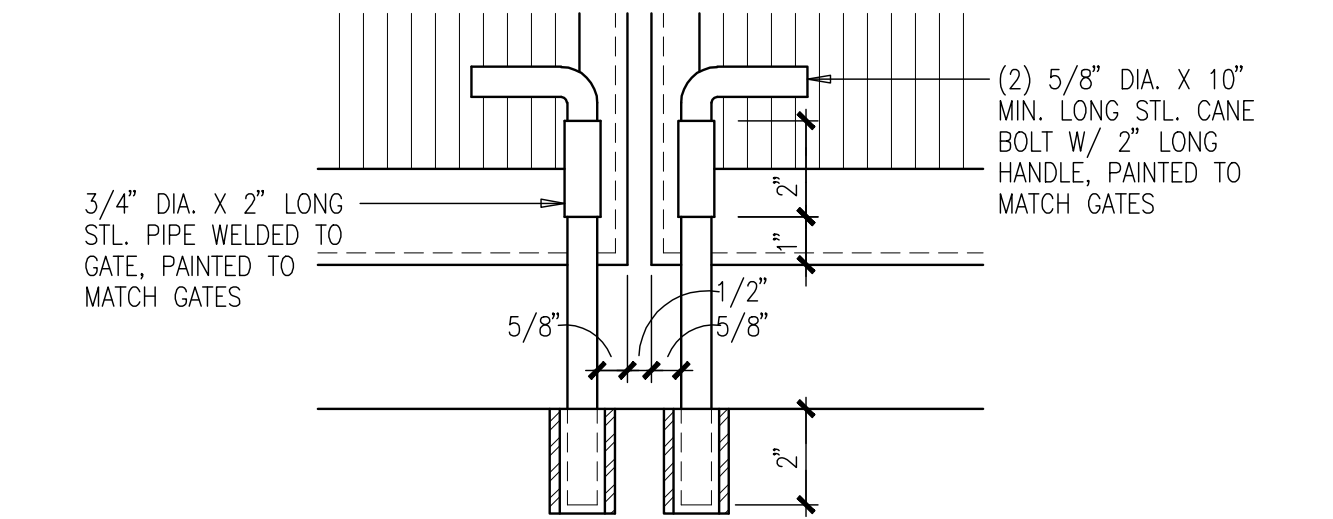
TRASH ENCLOSURE GATE & HINGE
SCALE: 3" = 1'-0"



TRASH ENCLOSURE PLAN
SCALE: NTS

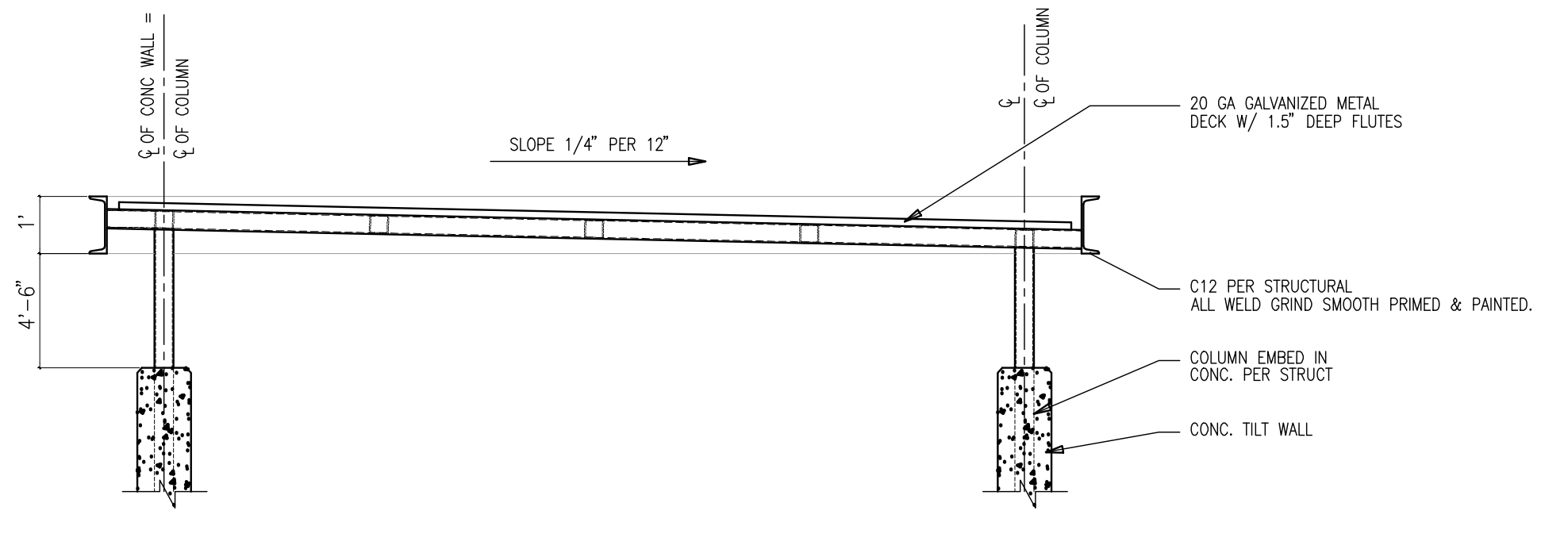


LATCH DETAIL

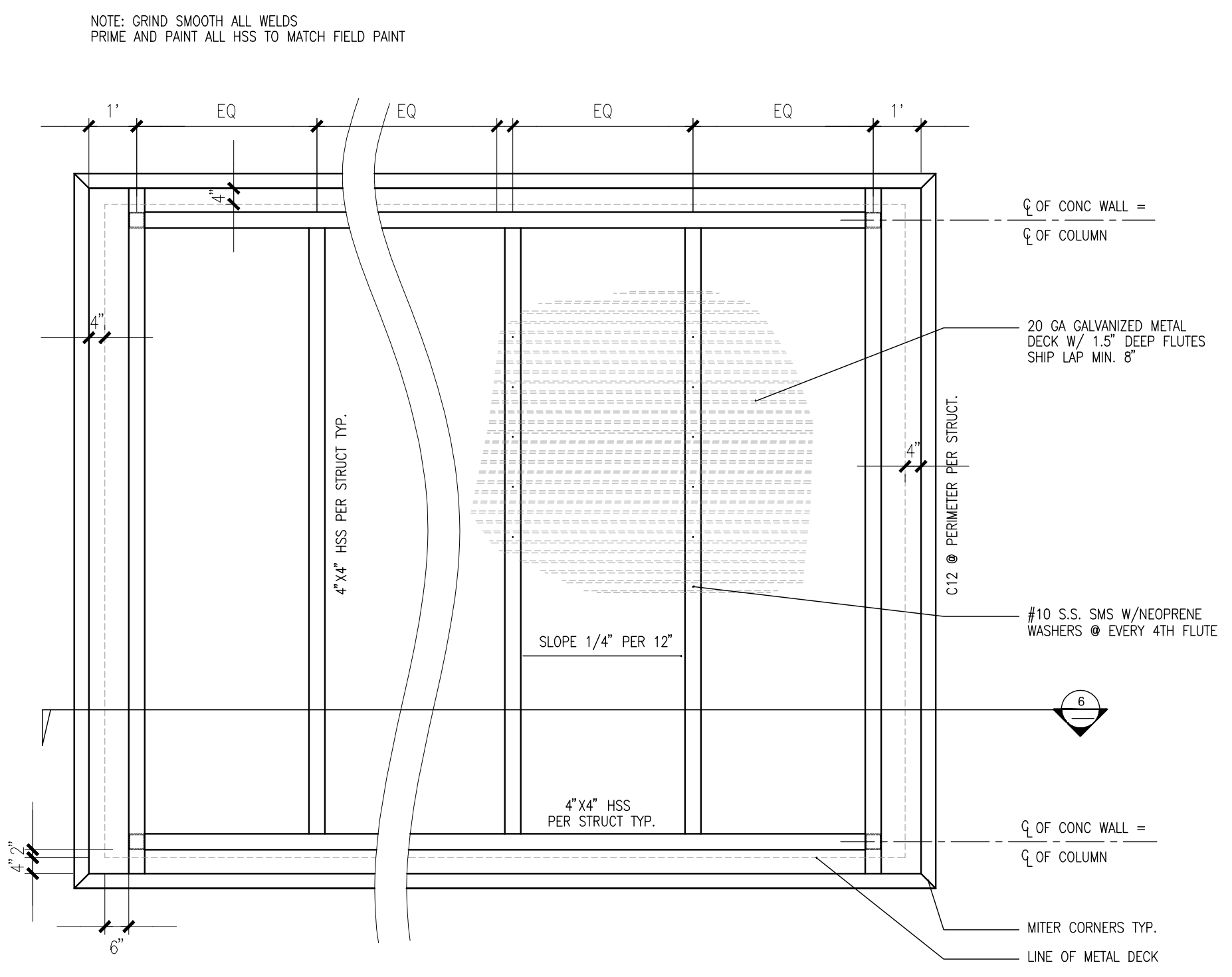


CANE BOLT DETAIL

TRASH ENCLOSURE GATE LATCHES
SCALE: 3" = 1'-0"



TRASH ENCLOSURE/OUTDOOR STORAGE CANOPY DETAIL
SCALE: 1/2" = 1'-0"



TRASH ENCLOSURE ROOF PLAN
SCALE: 3/8" = 1'-0"